

4

3

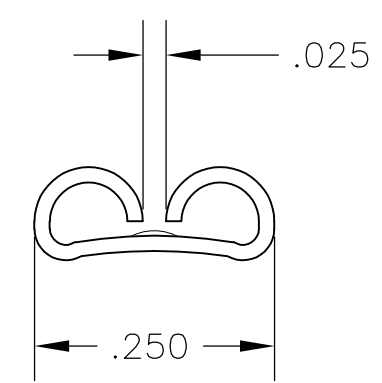
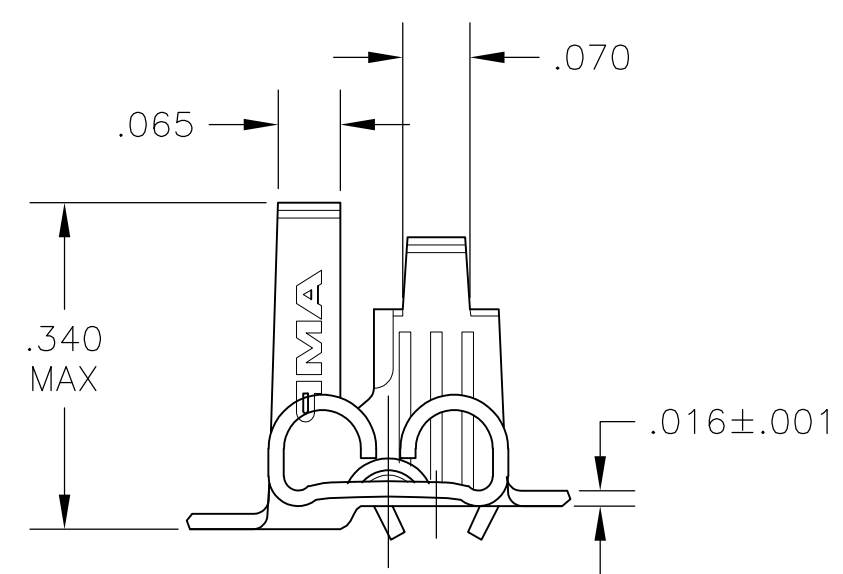
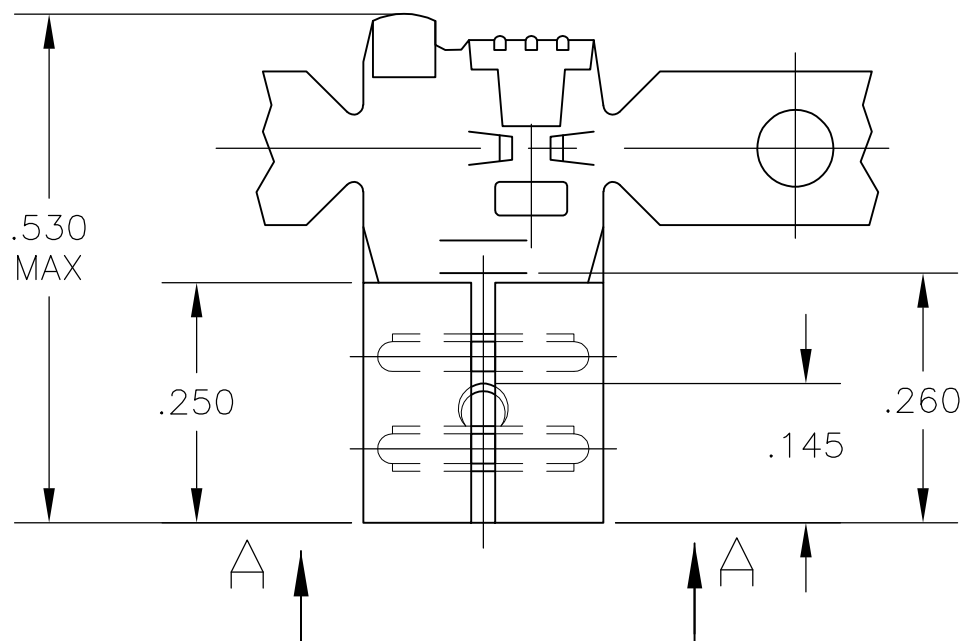
2

1

THIS DRAWING IS UNPUBLISHED. RELEASED FOR PUBLICATION  
© COPYRIGHT BY TYCO ELECTRONICS CORPORATION. ALL RIGHTS RESERVED.

LOC	DIST	REVISIONS					
AF	50	P	LTR	DESCRIPTION	DATE	DWN	APVD
		B		REL PER ECR 07-017188	30JUL07	JR	PD

- 1 CONTINUOUS STRIP ON REELS ON .650±.005 CENTERS
- 2 MATING TAB THK IS .032±.001
- 3 WIRE SIZE IS #18-#14 AWG
- 4 INSULATION RANGE IS .100-.150 DIA



VIEW A-A

1742595-1  
PART NO

THIS DRAWING IS A CONTROLLED DOCUMENT.		DWN jr_ruth	03MAY07	Tyco Electronics Corporation Harrisburg, PA 17105-3608	
DIMENSIONS: INCHES		CHK P DESANTIS	03MAY07		
		TOLERANCES UNLESS OTHERWISE SPECIFIED:		NAME	
0 PLC ± - 1 PLC ± - 2 PLC ± - 3 PLC ± .010 4 PLC ± - ANGLES ± 5°		APVD P DESANTIS		RECEPTACLE, FASTON, FLAG, .205 SERIES	
MATERIAL H02 STEEL		FINISH .000150 MIN NICKEL		APPLICATION SPEC	
		WEIGHT		SIZE	RESTRICTED TO
		CUSTOMER DRAWING		A3 00779	—
		SCALE 5:1		DRAWING NO G-1742595	SHEET 1 OF 1
				REV B	